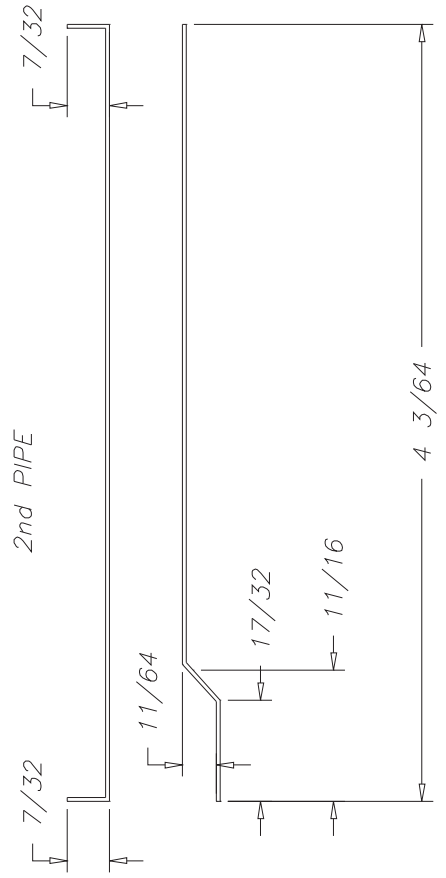
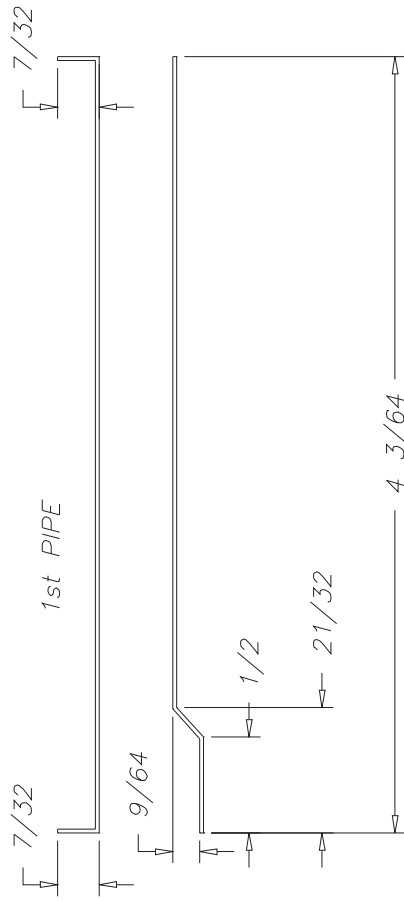
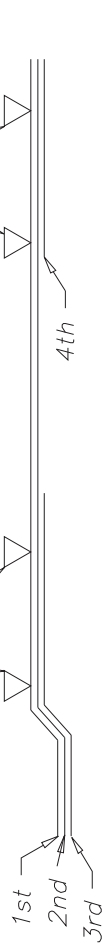


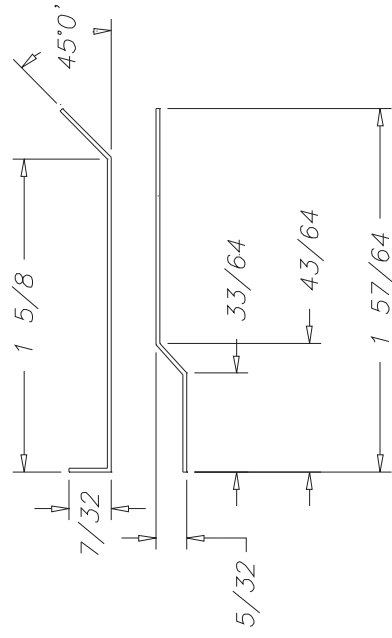


DET. 6  
MAKE FROM .020 DIA WIRE

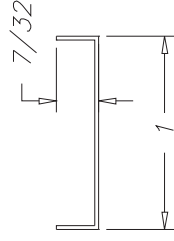
INSTALL BEFORE  
MAKING END BENDS  
90462



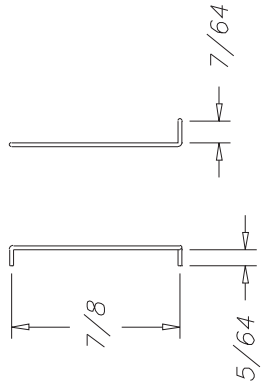
3rd PIPE



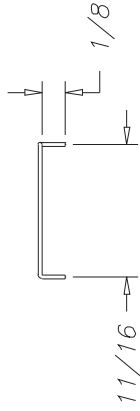
4th PIPE



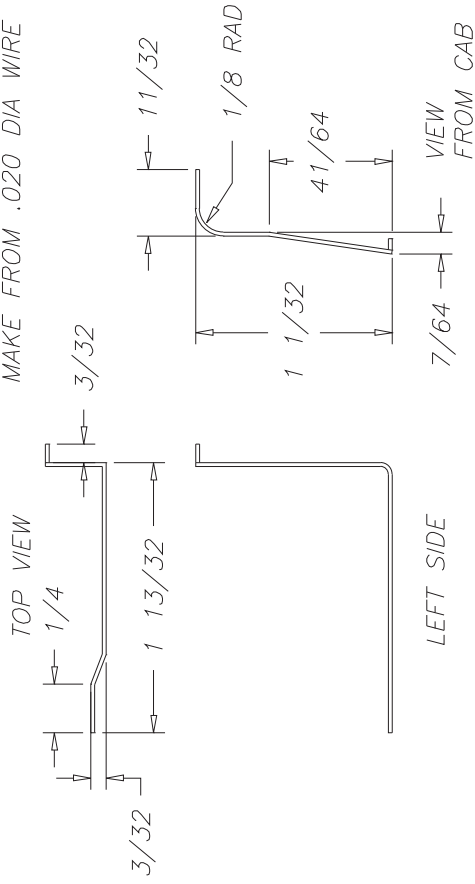
DET. 1  
MAKE FROM .020 DIA WIRE  
(1) LEFT, (1) RIGHT REQUIRED  
LEFT SHOWN



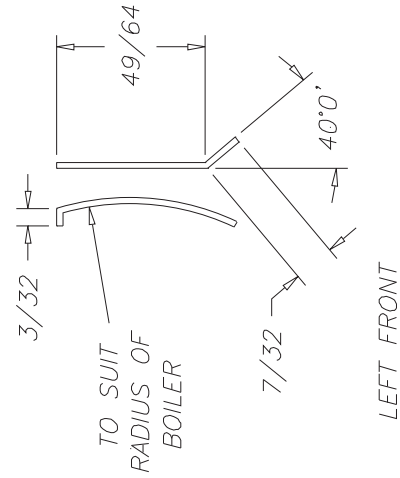
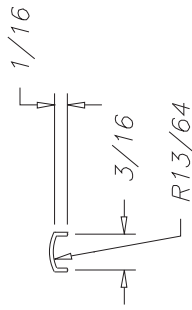
DET. 2  
MAKE FROM .020 DIA WIRE  
(2) REQUIRED



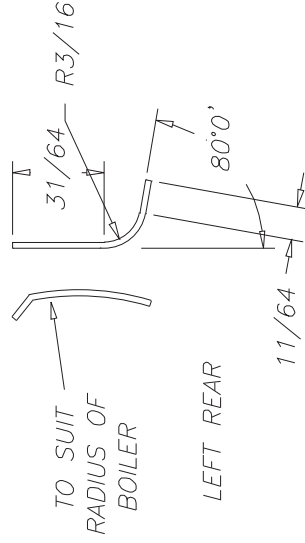
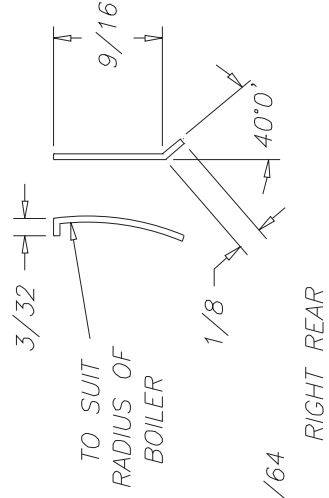
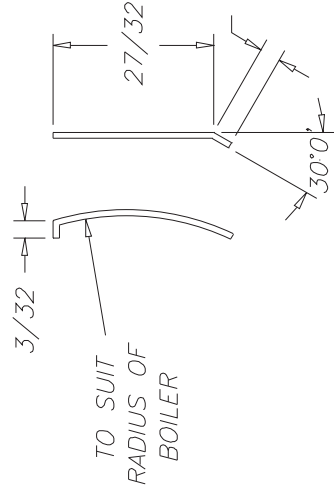
DET. 3  
MAKE FROM .020 DIA WIRE



DET. 4  
MAKE FROM .020 DIA WIRE  
(2) REQUIRED

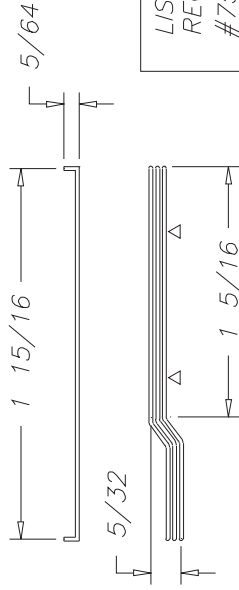


DET. 5  
MAKE FROM .032 DIA WIRE  
(1) EACH REQUIRED



DET. 6  
MAKE FROM .020 DIA WIRE  
(1) EACH REQUIRED

△ INSTALL 90462 BRACKETS  
BEFORE MAKING FINAL  
BENDS.



LIST OF DRILLS  
REQUIRED  
#75 #55  
#65 #52  
#60

