

PRR & Long Island G-5 4-6-0

The G5s Ten-Wheelers were built in 1923 at Juniata Shops as freight haulers to replace the Eight-Wheelers that were currently being used in suburban areas at that time. They were very similar to the E6s Atlantic, its only difference being an alteration in a running gear.

The G5s had 24" x 28" cylinders, 68" drivers, used 205 pounds of pressure, weighed 237,000 pounds, and could haul a load weighing up to 41,328 pounds.

By 1929, class G5s was the chief one and only 4-6-0 representative. G5s turned out to be the heaviest and most powerful 4-6-0 class ever built. Ninety more of these locomotives were produced in Juniata between the years of 1923 and 1925, for use on Pennsylvania Railroad lines. The first G5 to be manufactured at the Juniata Shops was number 987, plate No. 3769. These engines were built with superheaters and power reverse gear and were hand fired, but never had stokers or feedwater heaters installed.

An unusual trait of this class was pilot-mounted air reservoir tanks. Some engines had this feature, while others did not. Tenders utilized by this locomotive could carry 8,300 gallons of water and sixteen tons of coal.

This locomotive was built mainly for the milk business, as it was a very rough riding train once it reached high rates of speed. Passengers were a rarity for this locomotive.

PROTOTYPE SPECIFICATIONS

Drivers	68"
Cylinders	24" x 28"
Engine weight	237,000 lbs.
Tractive effort	41,328 lbs.
Engine height	14' 11-1/8"
Engine length	38' 2-7/8"

MODEL SPECIFICATIONS

Drivers	69"
Engine height	2-1/16"
Engine weight	1 lb. 4-1/2oz.
Length with Tender	10"
Minimum Radius	18"
Power	DC-71
Color	Brunswick Green

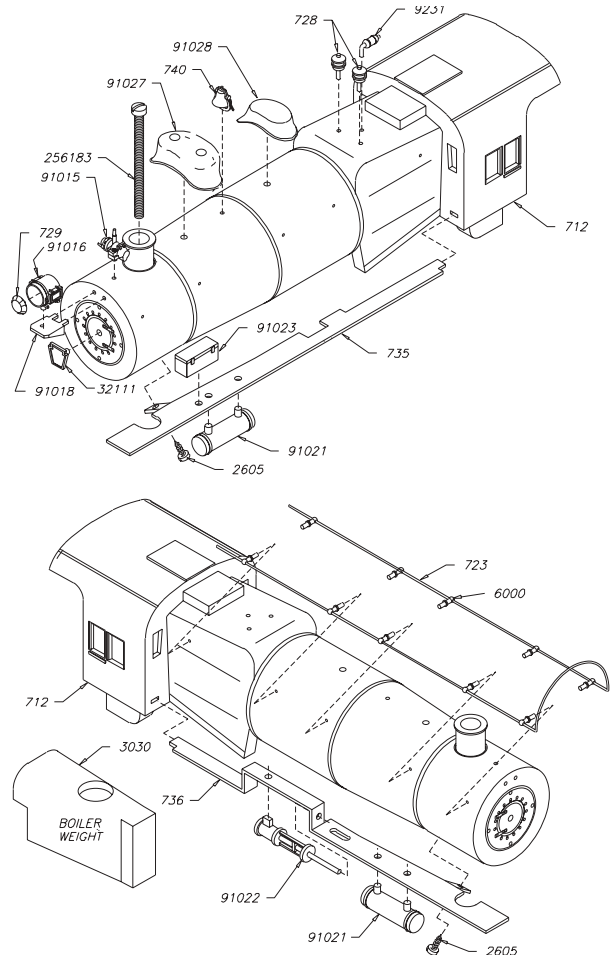
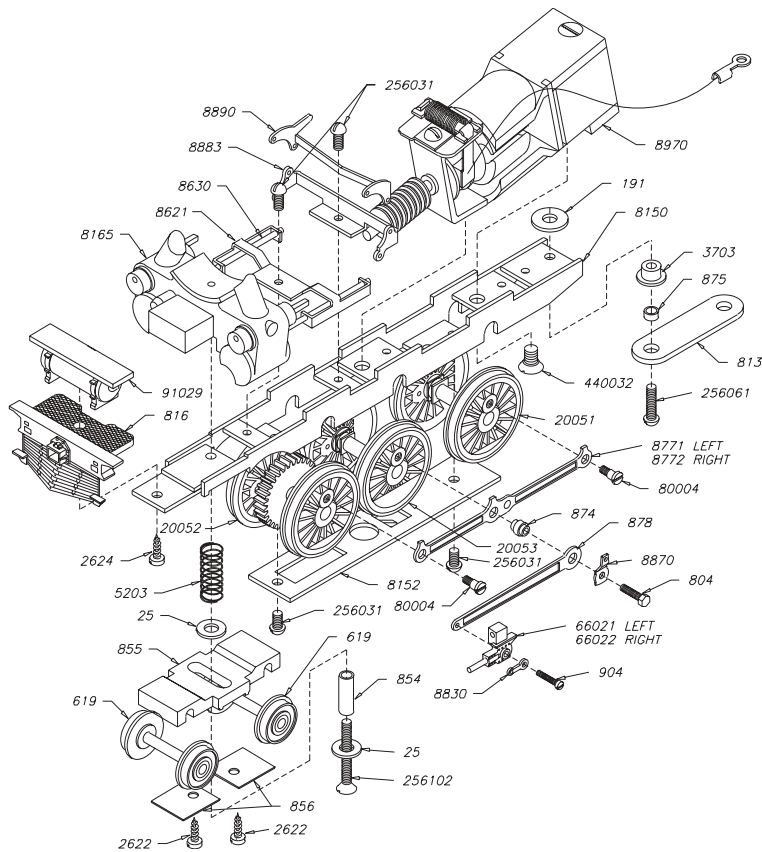
BOWSER G-5 4-6-0 - KITS AND ACCESSORIES

#100650 G-5 Ten Wheeler w/Tender, Kit
#100660 Superdetail Kit

#100661 Cab Back Plate, not in #100660
#100662 Painted Engineer & Fireman with
Cab Back Plate, not in #100660
#100663 Assembled Piping, not in #100660
#100514 Operating Headlight, not in #100660
#500505 Assembled valve gear



PRR & Long Island G-5 4-6-0



MOTOR WORM GEARS

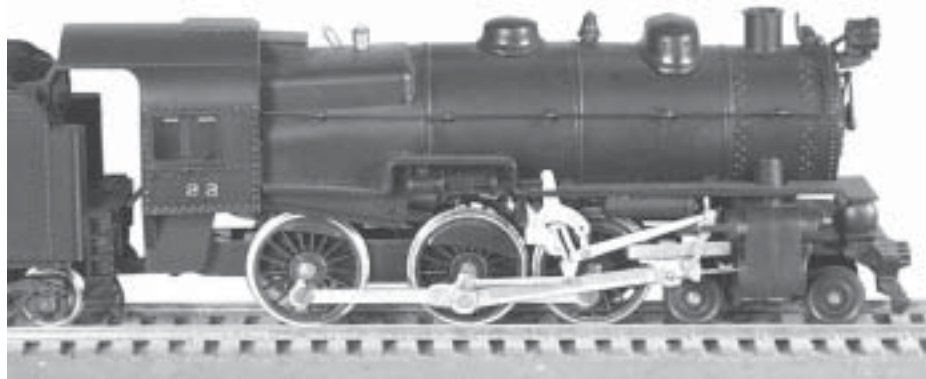
WORM	1030
AXLE GEAR	1020
AXLE SPACING	1.102 / .861
GEAR RATIO	29-1

Assembled piping #100663

The piping is preformed and soldered together for you. Simply attach as follows: Using a razor saw position piping (starting at rear). Cut a slot in the walk for the bracket, press in place and go on to the next slots. ALTERNATE METHOD: Bend bracket close to wire and glue to the underside of walk.

Pilot Coupler:

Use KD® #4 (without pocket). In the top center of cast on coupler pocket drill a #60 hole through pilot. Tap 00-90. File sides of coupler to fit pocket opening. Mount coupler with a 00-90 screw through round hole in coupler shank. Leave 1/16" of coupler protruding from rear of pocket and cut off remainder of coupler shank.



PRR & Long Island G-5 4-6-0

Marker Light Jewels:

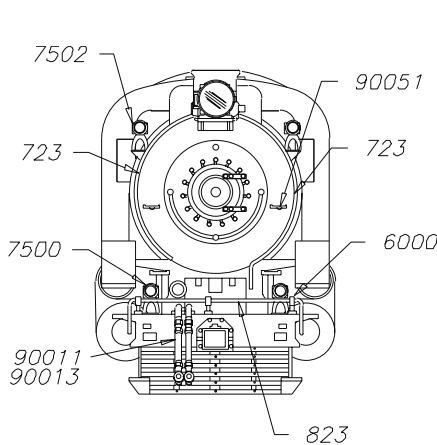
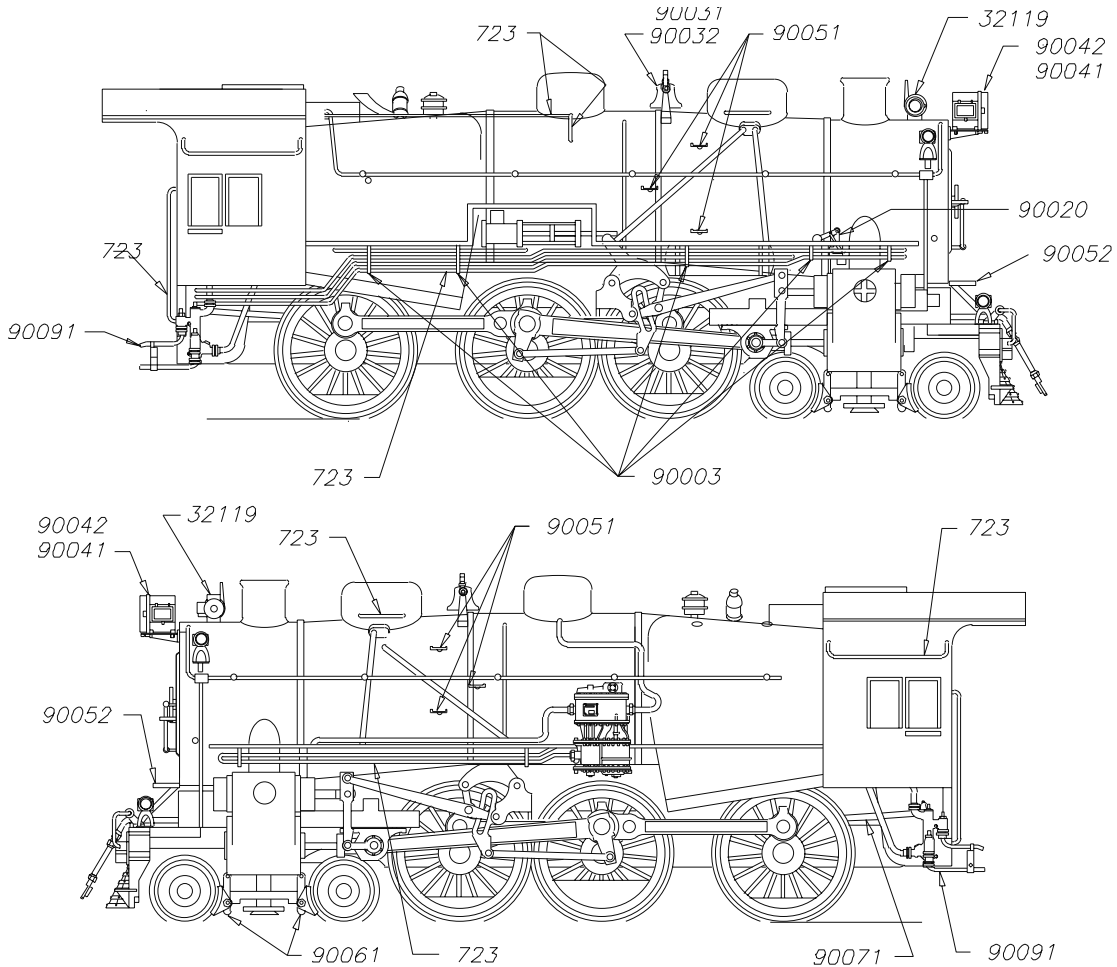
Rule of thumb: Green to front, amber to side and red to rear. The Pennsy had amber to the side and red to front and rear. When the loco was traveling forward the tender marker lights would show red. When the loco was backing up the marker lights on the pilot or smoke box front would show red. Sometimes one of the crew would change the markers to the color desired.

Operating Headlight

#100514 Complete Headlight Kit

If you already have a headlight. Use a #91039 Grain of Rice bulb for headlight. Drill out headlight and drill a hole in front of generator to run wire to motor brushes. Solder one wire to each brush.

SUPER DETAIL KIT #100660



PART#	QTY	DESCRIPTION
6000	4	Pk. 10 handrail stanchions
7500	4	PRR marker lite, pilot & tender
7502	1	PRR classification lites, pr.
7510	4	Pk. 10 markerlite jewels, Red
7520	4	Pk. 10 markerlite jewels, Amber
7530	2	Pk. 10 markerlite jewels, Green
30104	1	Headlight jewels, 3/16" dia.
32119	1	Sunbeam generator
90003	5	Pk. 15, piping brackets
90010	1	Hose set for loco and tender
90020	1	Damper valve
90030	1	Bell & bracket, rope pull
90041	1	Headlight bracket
90042	1	Headlight
90051	4	Pr. steps, smoke box front
90052	1	Pr. pilot braces & steps
90060	1	Brake kit, 4 wheel pony truck
90071	1	Pr. ash pans
90091	2	Injector, non-lifting

